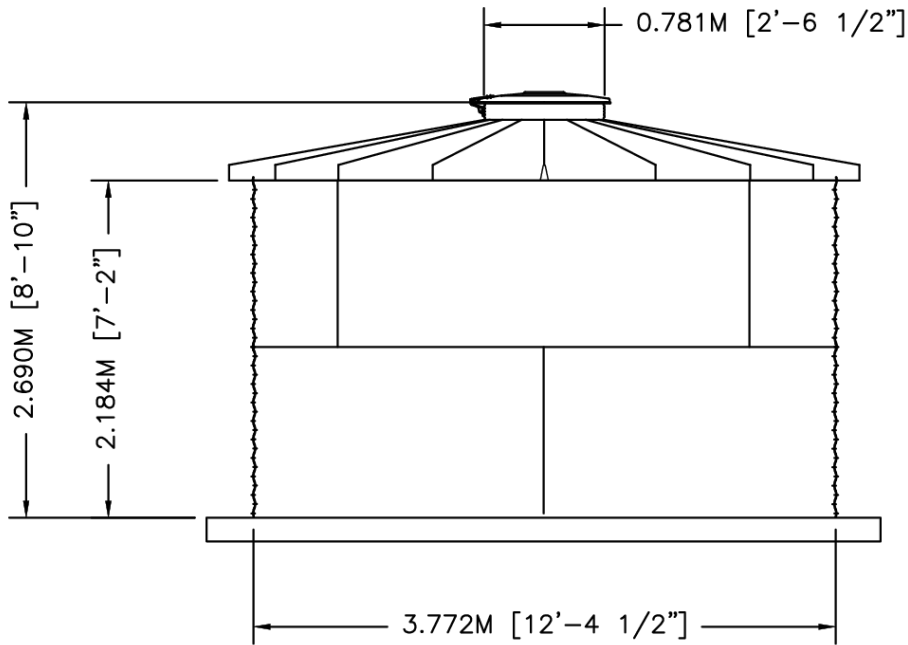



PLAN



ELEVATION

		BY	DATE	TITLE	
	DWN	XXX	XX/XX/XX	WTU04-02 30"PR 10DEG V-RIB NOMINAL CAPACITY - 22.985 M3 [6,072 GAL]	
	CKD				DWG. NO.
	ENG				REV. NO.
	SIZE:	A	SCALE:	1/4"=1'-0"	SHEET 1 OF 1